



MLE5000 RFID Antenna

The secure mechatronic access control solution for outdoor enclosures

- Weather protection: IP65 in accordance with DIN EN 60529
- LEDs visualize Status of the handle
- With MLM Administration Suite decentralized controlled
- Audit trail of events



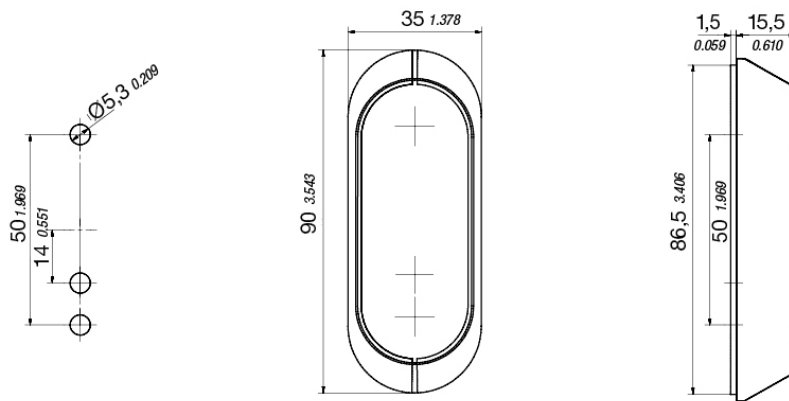


MLE5000 RFID Antenna	
Interface	TCP/IP, Ethernet, RS 232
RS 232 line (RXD, TXD, GDN, reader present, PC present), 38,400 Baud	.
Storage space	for transponder (125 kHz) 2,000; 1 master
Storage space	for 500 events (ring memory) + 30 time profiles
Stand-alone	possible
Relay output and door contact input	.
Standby current (DC)	40 mA
Max. current consumption (DC), RJ 12/Lock	1.4 A
Max. current consumption (when engaging the coupling)	3.0 A (DC)
Multicolored status LED	.
Material	Zinc diecast powder-coated and plastic
Temperature range	- 20 °C ... +70 °C
Integrated real-time clock with buffering	up to 60 min. at 25 °C
Watertight and dust-tight IP65	.
Nominal input voltage	12 V / 24 V / 48 V (DC) ±10 %

Scope of supply	
Antenna enclosure	zinc diecast, light gray powder-coated, front: plastic
Control unit	plastic enclosure, can be fixed with screws or selfadhesive pad
Connection cable	7 m, tool-free configurable RJ 45 connector (connecting cable can be independently shortened)
Flat seal	useful for sealing and as drilling template

Product numbers	
MLE5000 RFID (Antenna + Reader without handle)	602-8003.00-05000

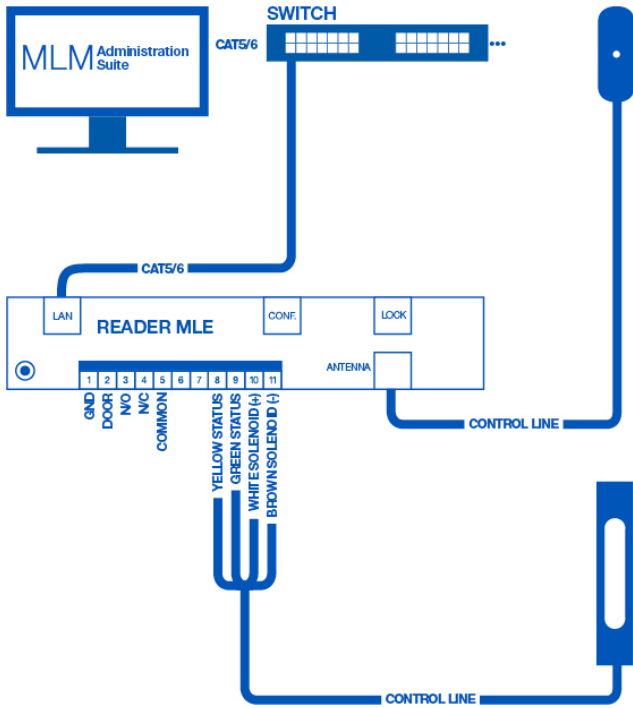
Dimensions



Connection



Connection



MLE5000 RFID ANTENNA

Communication with the MLE5000 RFID Antenna takes place via TCP/IP protocol. Each antenna receives a static IP address and is reachable in the network at all times. The advantage: No separate bus system is required for the MLE5000 RFID Antenna because the existing Ethernet LAN is used here. This system is therefore quick and easy to install.

LED Displaystatus

