

# 6-1001SL Bridge Handle SNAP-LINE

tool-less installation

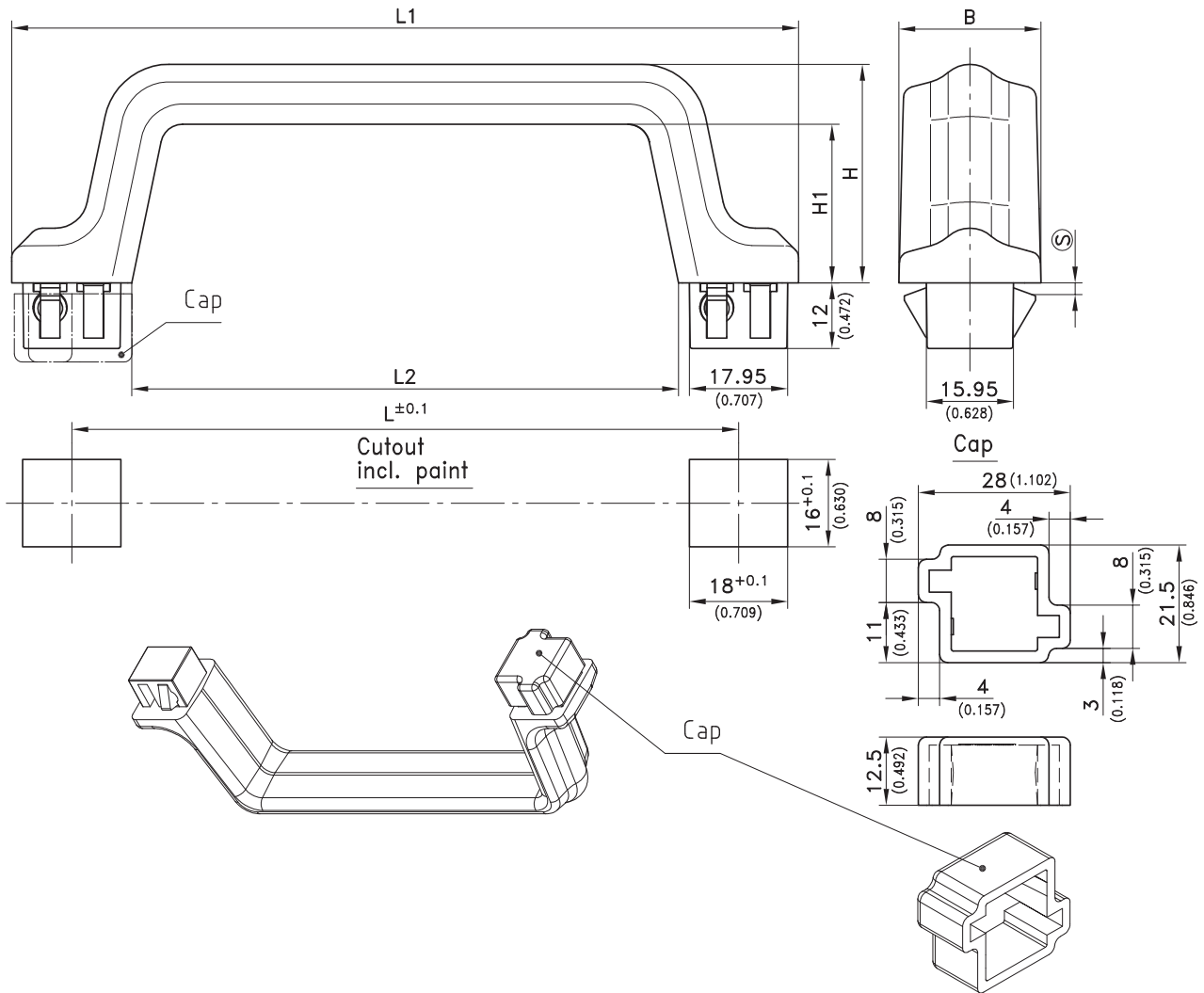


Polyamide handle, two sizes.

- The appealing design guarantees a firm and reliable grab.
- The closed surface makes it insensitive to dirt and easy to clean.
- Lowest inside radius 5mm.
- Designed for vertical or horizontal uses.
- The installation is effected by a simple push into appropriate cutouts.
- Handle for variable lengths in the same design see product system 6-1600SL.
- Vibration-proof.

**Material:**

- **Bridge Handle** PA, black
- **Snap wedges:** sintered steel
- **Cap:** PA black



	clamping range <sup>Ⓢ</sup>	L	L1	L2	B	H	H1	Part No.
Bridge handle 144mm long	0.8 - 1.5	122	144	100	26	40	29	413-9003.00-00015
	1.3 - 2.0	122	144	100	26	40	29	413-9003.00-00020
	2.0 - 2.7	122	144	100	26	40	29	413-9003.00-00027
Bridge handle 172mm long	0.8 - 1.5	150	172	128	28	50	39	413-9004.00-00015
	1.3 - 2.0	150	172	128	28	50	39	413-9004.00-00020
	2.0 - 2.7	150	172	128	28	50	39	413-9004.00-00027
Cap								413-0901.54-00000
Other <sup>Ⓢ</sup> - dimension on request!								