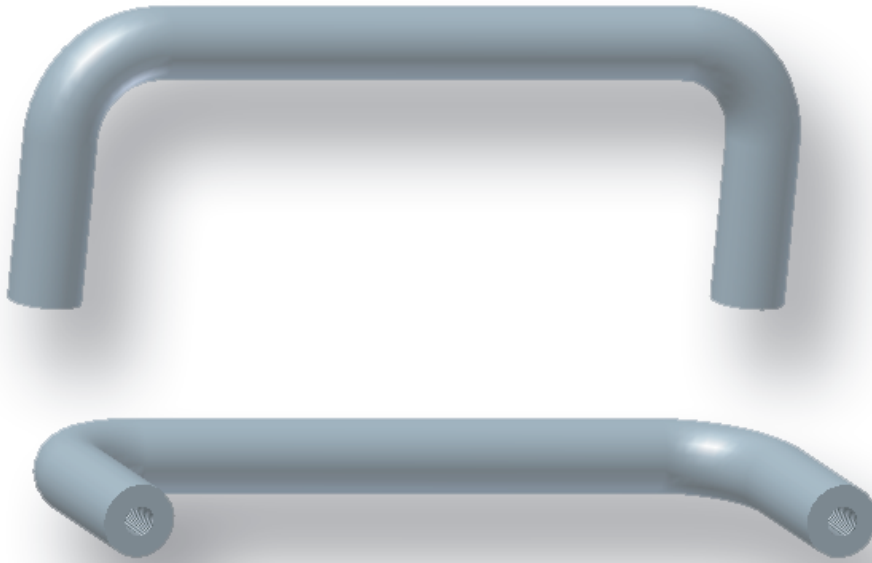


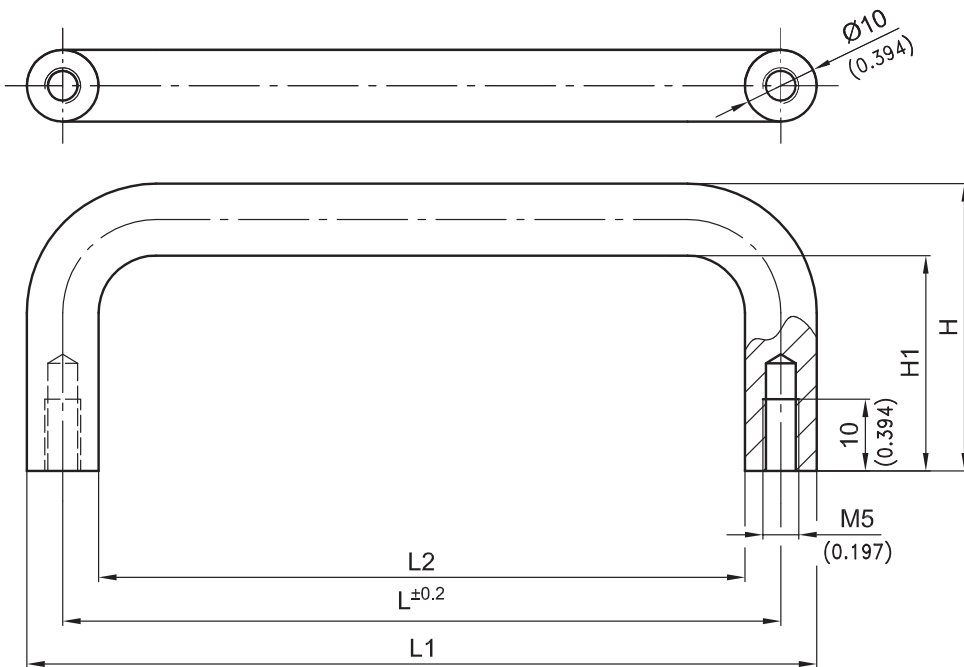
6-1103 Bridge Handle

Aluminium



Solid aluminium Handle, modern industrial design.

- Handles for hospital equipment, medical and food processing technology.
- Designed for vertical or horizontal uses.
- Fastening by M5 screws.



Material:

- aluminium, anodized (AlMgSi 0,5)
- Other surfaces on request.

	Aluminium					
Bridge Handle, round	L	L1	L2	H	H1	anodized
mm / inch	100 / 3.937	110 / 4.331	90 / 3.543	40 / 1.575	30 / 1.181	213-0517.96-00100

12/16/08

© copyright by DIRAK / Germany

