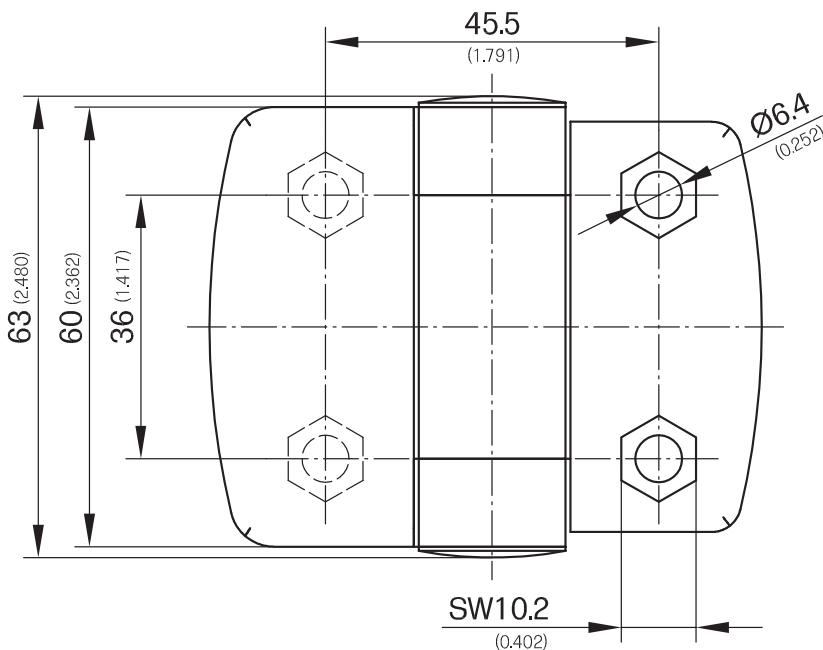
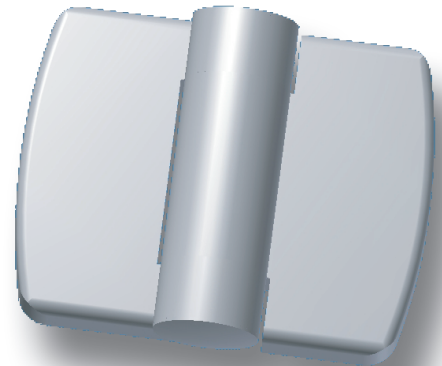
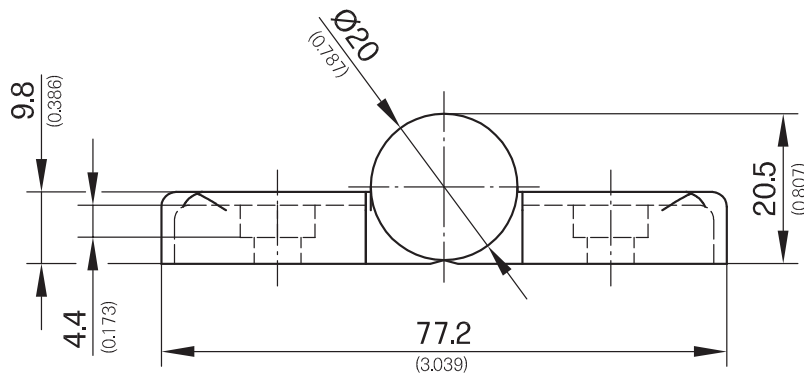


4-709 Torque Hinge Pr01 270° for nested door



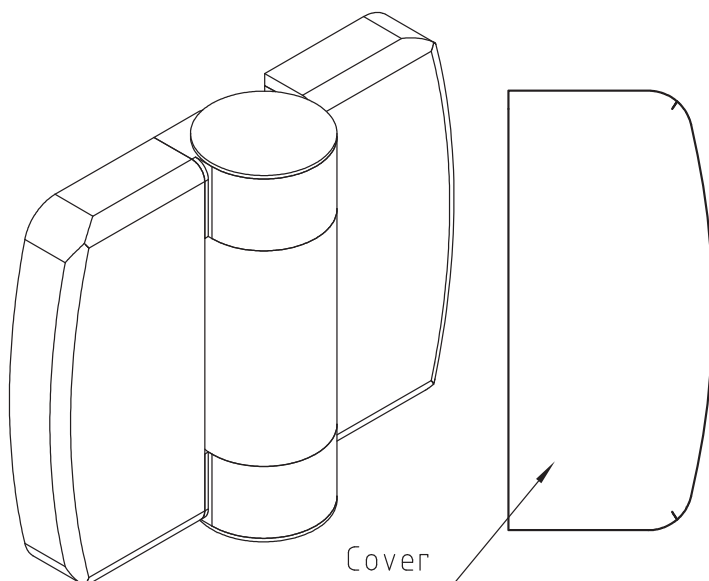
270° Hinge with unchanging torque throughout its full range of motion. Continuously adjustable torque 0 - 5Nm. The adjustment of the torque is made with a hexagon socket key size 4 in the hinge shaft. The doors may be moved into any position and remain at exactly that position. Also usable as coverstays for light duty application. Installation with hexagon screws or hexagon nuts M6.

- Without any stop.
- Adjustable torque.
- Constant torque throughout its fully range of motion.
- RH and LH application.

Applications: shutters, doors protection devices, cover for industrial enclosures, HVAC, electrical industry, machine tools and instrumentation

Material:

- **Hinge and covers:** PA, black
- **Shaft:** AISI 304



Torque Hinge	0 - 5Nm	Part No. 703-9012.00-00000
--------------	---------	-------------------------------

12/16/08

© copyright by DIRAK / Germany

