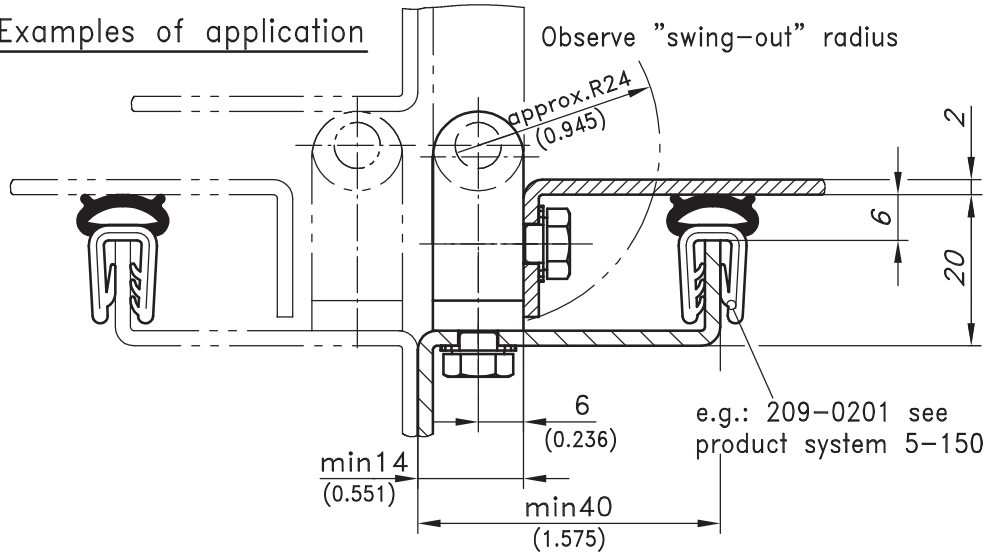


4-290 Hinge Pr04 180°

Lift-off for Adjacent cabinets and surface mounted door

Examples of application

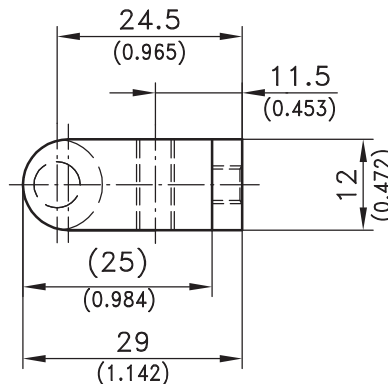
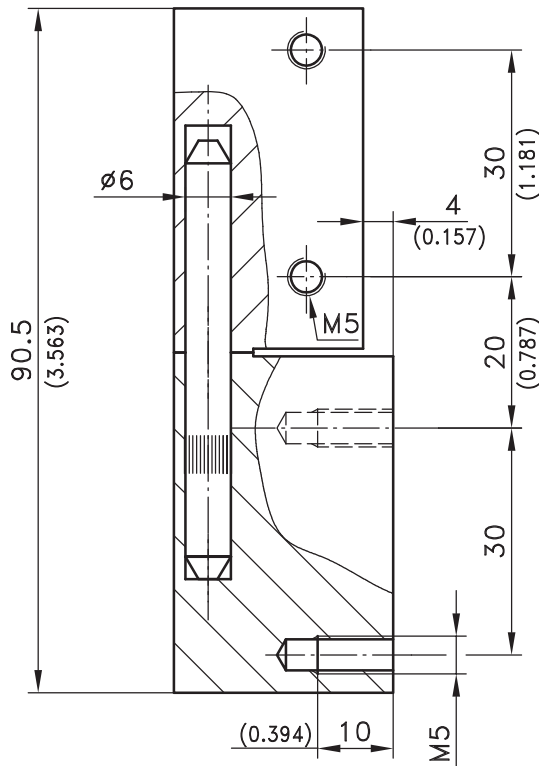
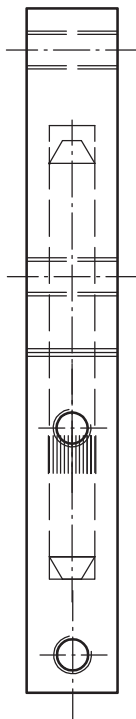


180° Lift-off Hinge.

- RH or LH application.
- The opening angle of 180° can also be achieved with adjacent doors.

Material:

- **Hinge parts:** zinc die, chrome plated or black coated
- **Pin:** AISI 304



	chrome	black
Hinge	210-9002	210-9001
For bending up to 30mm		210-9003
(39mm high instead of 29mm)		

12/16/08

© copyright by DIRAK / Germany

