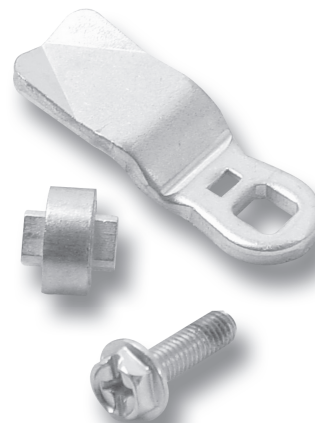
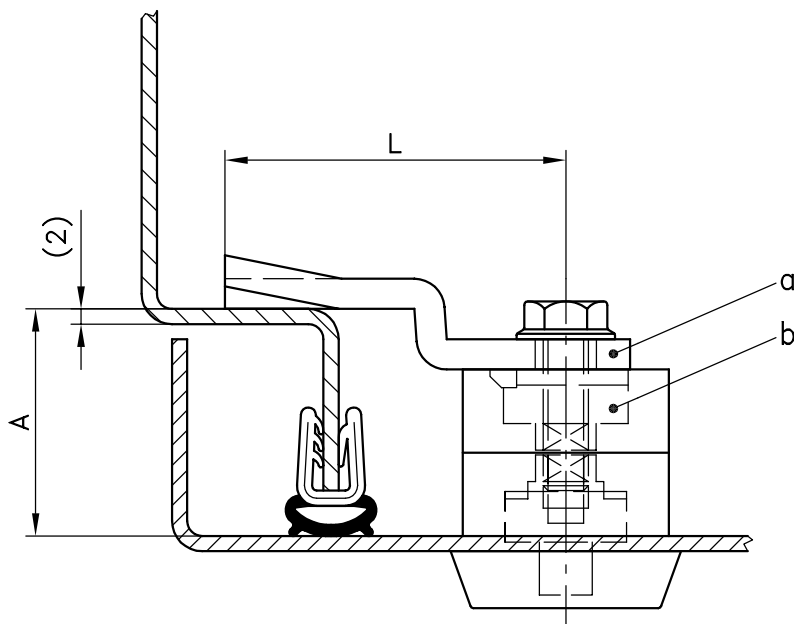


3-162 Cam with Adapter



Cam with adapter suitable for latch systems DIRAK 208 see product system 3-070, 3-100, 3-130, 3-132 or 3-165.

- Other dimensions on request.

Material:

- a)
 - **Cam:** steel, zinc plated.
- b)
 - **Adapter:** zinc die

Please order separately:

	Size A		L=45±2 (1.772)		L=35±2 (1.378)	
	mm	inch				
a) Cam						
	22	0.866			200-0418	200-0618
	24	0.945			200-0420	200-0620
	26	1.024			200-0422	200-0622
	28	1.102			200-0424	200-0624
	29	1.142			200-0425	200-0625
	30	1.181			200-0426	200-0626
	32	1.260			200-0428	200-0628
	34	1.339			200-0430	200-0630
	36	1.417			200-0432	-
	38	1.496			200-0434	-
	39	1.535			200-0435	200-0635
	40	1.575			200-0436	-
	42	1.654			200-0438	200-0638
	44	1.732			200-0440	200-0640
	46	1.811			200-0442	200-0642
	48	1.890			200-0444	200-0644
	49	1.929			200-0445	-
	51	2.008			200-0447	-
	54	2.126			200-0450	-
	57	2.244			200-0453	-
	59	2.323			200-0455	-

b) Adapter with self-locking screw M6x20 208-9403

