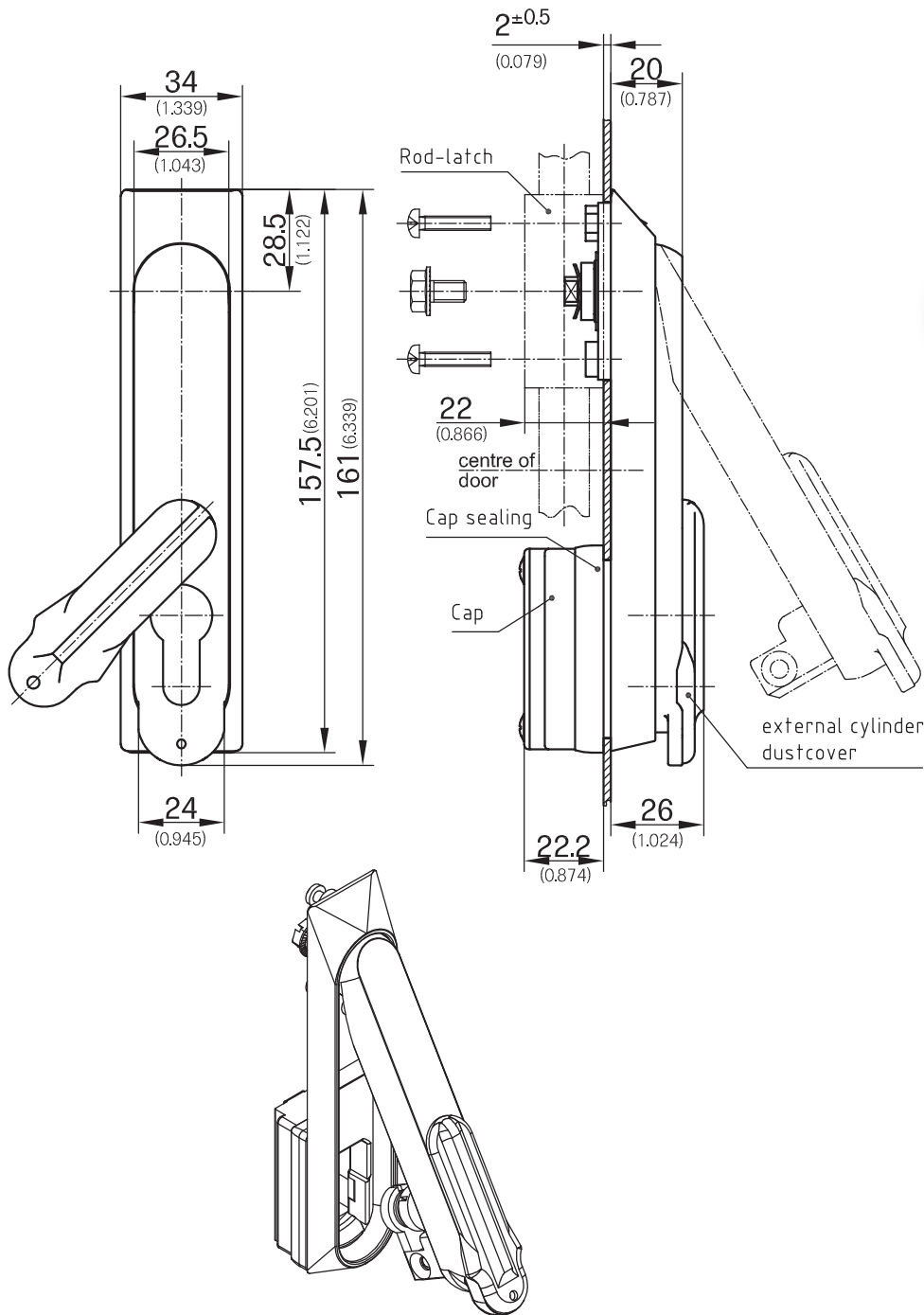


## 3-151 Swinghandle FS PrC



Swinghandle for rod-latch 208-series.

- Swinghandle for profile cylinders DIN18252 to control flat rod systems as shown in product system 3-130, 3-132, 3-165 and 3-170.
- Doordish and handle part in zinc die.
- Suitable for profile cylinders 40mm with 45° locking cam.
- Water- and dust tight to IP65 DIN EN 60529.
- LH and RH applications.
- Cutout version C 50x25mm (Refer to product system 3-010).
- **For further handle versions product system 3-150: Please contact DIRAK.**

### Material:

- **Dish and handle:** zinc die, matt black E-COATED
- **Bearing plate:** zinc die, untr.
- **Dust cover:** zinc die, black
- **Shaft:** brass
- **Cap:** PA6 30GF black
- **Wave washer:** spring steel
- **Tapping screws:** steel, zinc.pl.
- **Countersunk screw:** stainless steel
- **Cap sealing and O-Rings:** NBR

	Part-No.
a) Swinghandle with Cap and external dustcover for Profile-Cylinder 40mm	107-9209

Profile-Cylinder see product system 2-140.

12/16/08

© copyright by DIRAK / Germany

