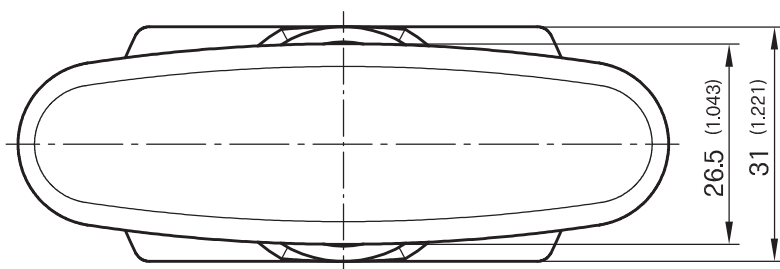
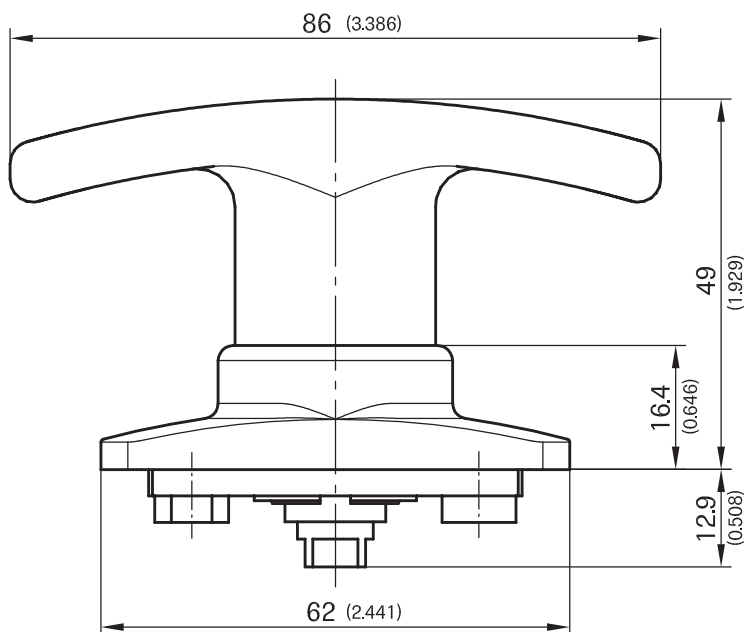
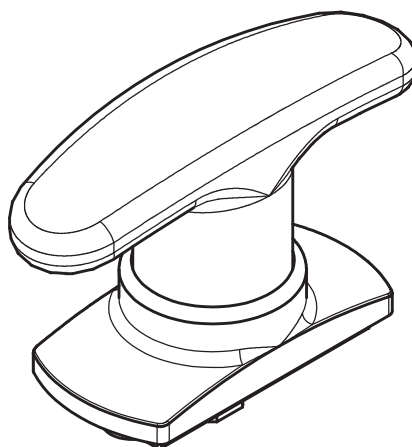
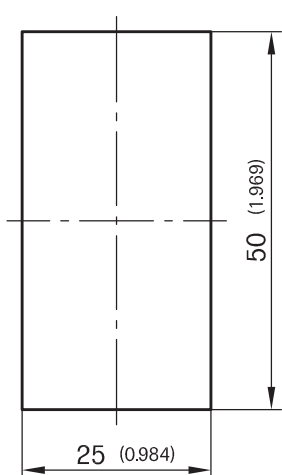


3-112 Handle for 3-100 Rod-Latch FS PrA SOFTLINE



Cutout Typ A



T-Handle Softline for application with Rod-Latch system see product system 3-100.

- Cutout version A

Material:

- **T-Handle:** zinc die, matt nickel plated
- **Other surfaces** i.g. chrome plated, black on request!

T-Handle without cylinder 208-9648

T-Handle with cylinder 208-9649

Optional:

O-Ring IP65 208-1802

12/16/08

© copyright by DIRAK / Germany

