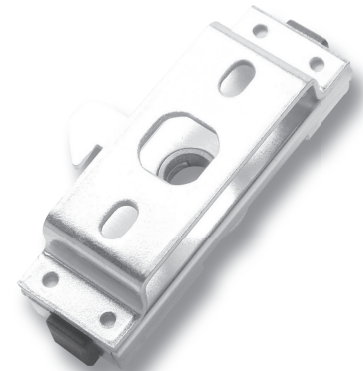
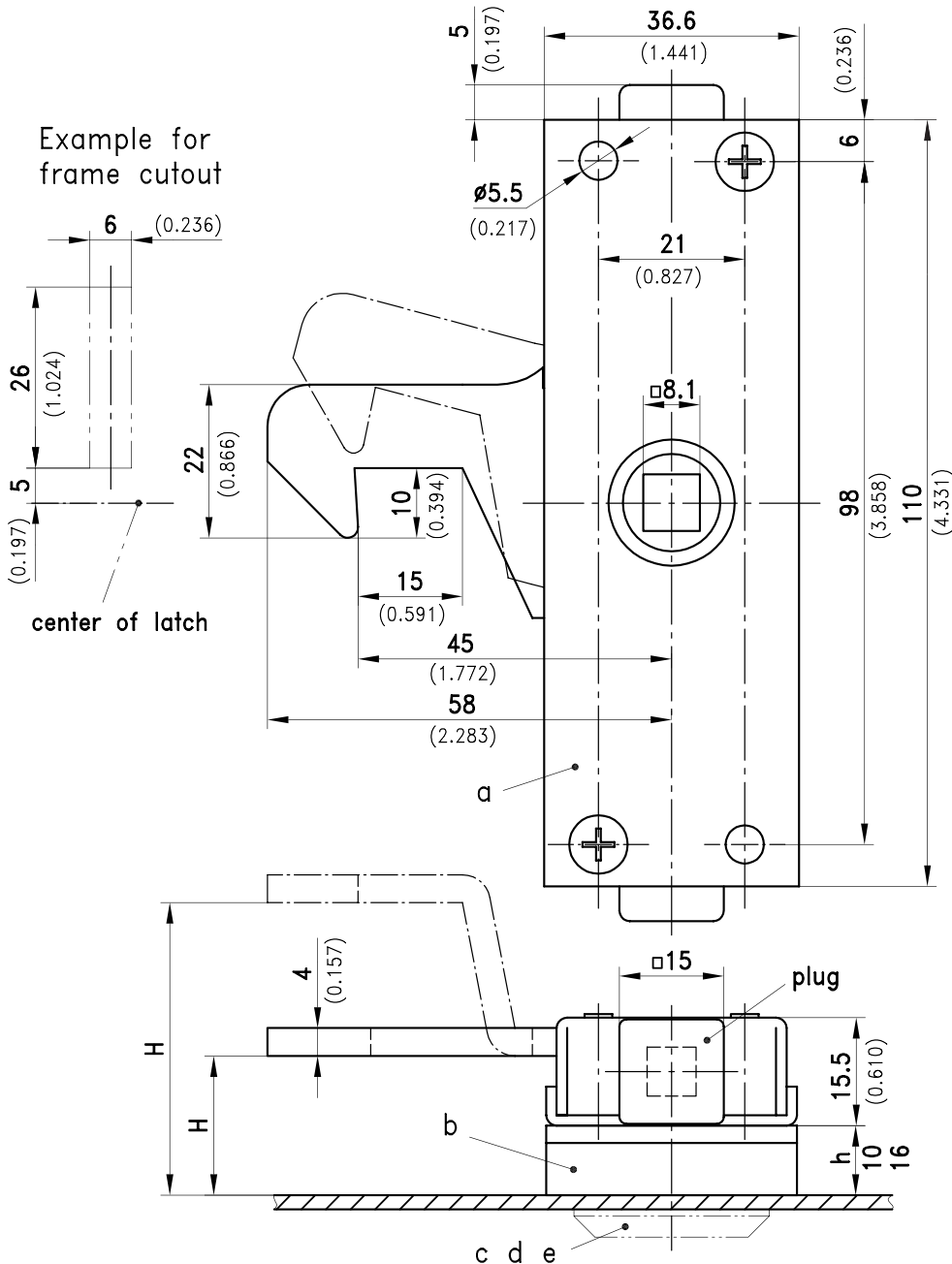


1-415 Hooked Cam Latch for sliding doors



Hooked cam latch for sliding doors

- The cam has a slam feature.

Material:

- a)
- **Latch:** steel, zinc plated
 - **Cam:** steel, zinc plated
 - **Plug:** LD-PE, black
- b)
- **Latch support:** steel, zinc plated

a) Hooked Cam Latch	Hook	
	straight	curved
RH version	235-9015	235-9017
LH version	235-9016	235-9018
b) Latch support h in mm / inch	H in mm / inch	
10 / 0.394	20 / 0.787	235-1001
16 / 0.630	26 / 1.024	235-1002
10 / 0.394	42 / 1.654	-
16 / 0.630	48 / 1.890	-

c) Inserts and escutcheons see product system 1-400

d) Handles see product system 1-430

e) Swinghandles see product system 2-300

12/15/08

© copyright by DIRAK / Germany

