

# 1-405 3-Point Latch

for profile-cylinder

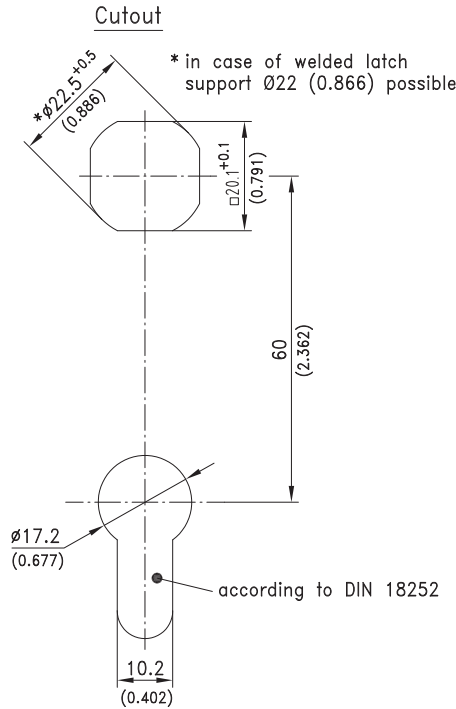


Rod Latch system for profile-cylinders to DIN 18252. Heavy duty version.

- Screw-in or weld-on.

**Material:**

- a)
- **Rod Latch:** steel, zinc plated and zinc die
- b)
- **Lock support:** steel, zinc plated
- c)
- **Insert:** zinc die, chrome plated
- d)
- **Escutcheon:** zinc die, chrome plated
- e)
- **Rod Guide:** PA, black
- f)
- **Round rods:** steel, zinc plated



	Part No.	see page
<b>a) Rod latch for round rod Ø8mm, Stroke 18</b>		
RH	235-9401	
LH	235-9402	
<b>b) Latch support for RH and LH version</b>		
A20	235-1005	
A26	235-1006	
<b>c) Insert with screw M6x10</b>		02.86, 02.87
<b>d) Escutcheon</b>		02.86, 02.87
<b>e) Rod guide</b>		02.86, 02.87, 02.99, 02.101
<b>f) Round rods with rollers</b>		02.86, 02.87, 02.97, 02.98
<b>Optional:</b>		
<b>Water- and dust-tight according to IP65 by:</b>		
g) O-ring 12x2mm	200-1001	
h) Flat external seal	200-0901	
<b>i) Swinghandle</b>		03.27
<b>j) T- and L-Handle</b>		02.96

