

1-300 Slam-Latch



Slam-latch for doors and panels.

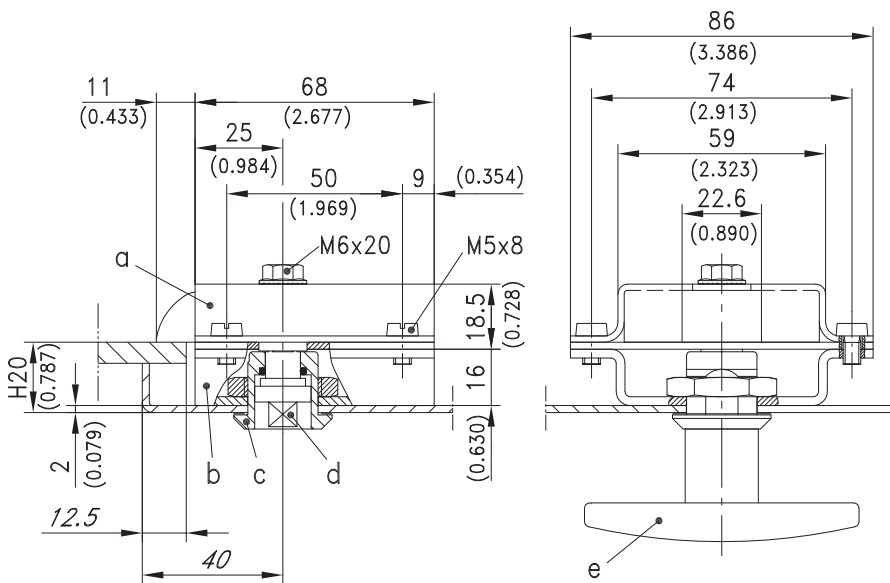
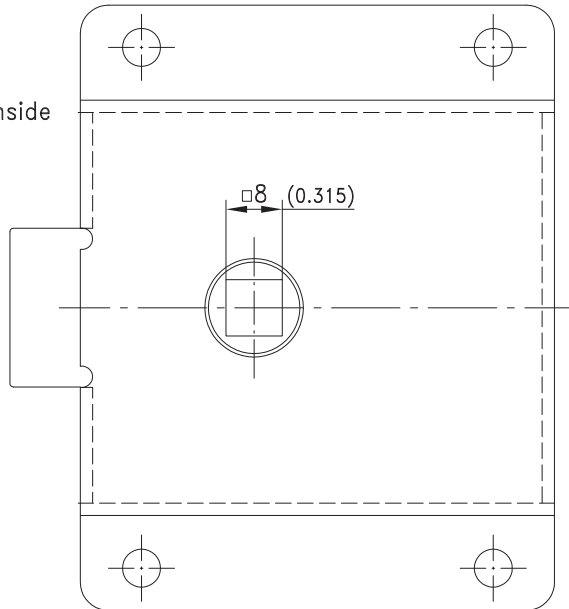
- Slam-latch for doors and panels, can be opened by key or handle.
- The slam-latch is screwed onto the latch support.
- Which is either screwed or, in case of heavy application, welded to the door.
- If assembled without insert it can be opened with tapered square key.
- The slam bolt has a slam feature.

Material:

- a) **Housing:** steel, zinc plated
- **Bolt:** zinc die, zinc plated
- b) **Lock support:** steel, zinc plated



View from inside of door



	Part No.	see page
a) Slam-latch	229-9101	
b) Lock support	229-0501	
c) Housing with nut e.g.	200-9005	02.40, 02.41
d) Inserts		02.48, 02.49
Optional:		
e) T-Handle with housing		02.61
e2) L-Handle with housing		02.65
e3) Wing handle with housing		02.56
Fitting hardware		09.04