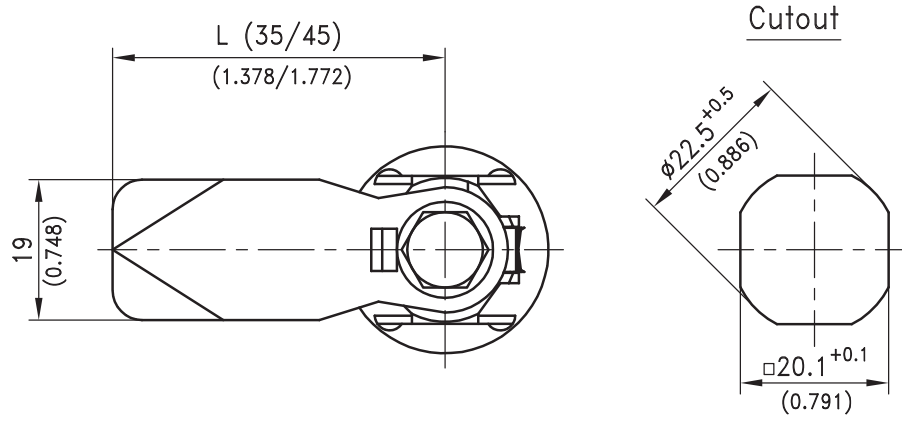
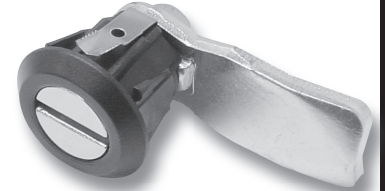
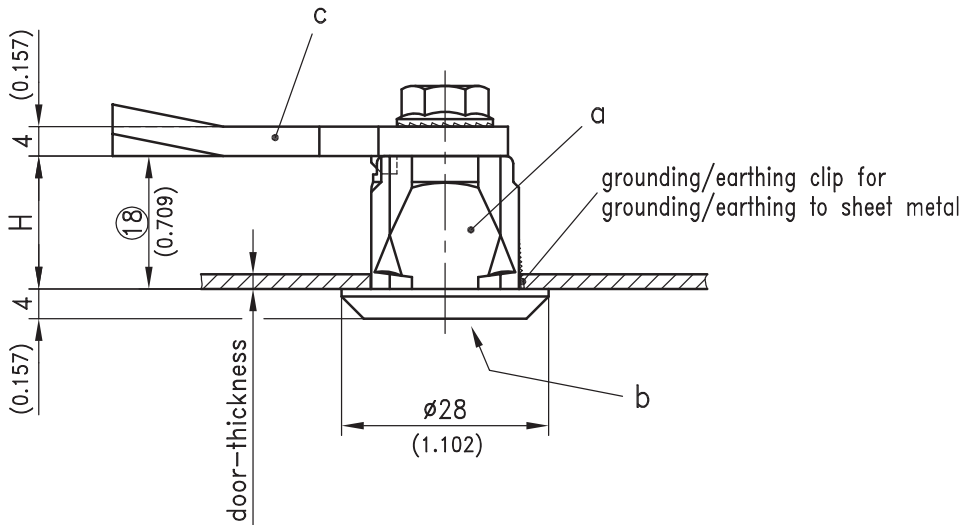


1-099 Quarter-Turn Pr20.1 L18 Clip-in



Clip-in Quarter-Turn with 90° rotation.

- RH or LH application.
- The Quarter-Turn consists of three basic components which can be combined to suit your application.
- A pre-assembled Quarter-Turn can be installed in the cutout.
- Max. IP54
- **Attention:** Clip-in feature for painted doors only !

Material:

- a) **Housing:** Delrin, black
- **Grounding/Earthing clip:** stainless steel

a) Housing	Part No.
Door-thickness 2.0 +/- 0.1/14 ga	200-0202.03
To enable the door thickness of 1.5 a flat external seal is added to the housing.	
Door-thickness 1.5 +/- 0.1/16 ga	200-0204.03
Grounding/earthing clip (stainless steel)	200-1101.04
b) Inserts see product system 1-100 or 1-095	
c) Cams see product system 1-100 or 1-095	
Special cams see product system 1-262.	
Optional:	
d) Assembling	200-0001

12/15/08

© copyright by DIRAK / Germany

