

7-310 Wind Stop

stainless steel AISI 304

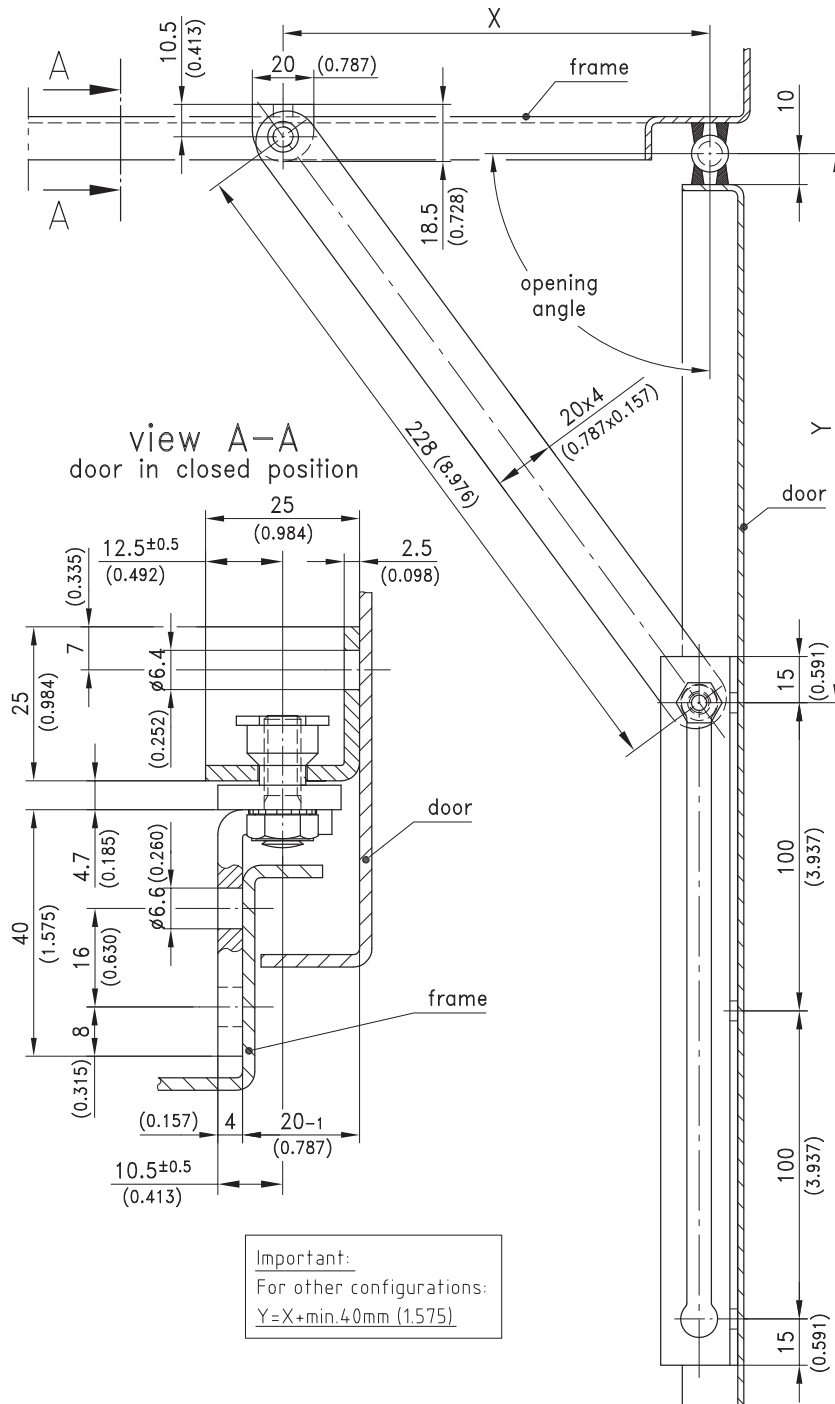


Wind stop with automatic lock to keep the door open.

- RH or LH application.

Material:

- **Wind stop:** stainless steel AISI 304



Opening angle	Installation dimension X in mm/inch	Installation dimensions Y in mm/inch	minimal door width mm/inch	Part No.
90°	140/5.512	180/7.078	403/15.866	221-9101
105°	120/4.714	166/6.535	389/15.315	
120°	110/4.331	150/5.906	373/14.685	
135°	100/3.937	146/5.748	369/14.528	
Wind stop				221-9101