



Advantages

- Polyamide handle, two sizes.
- For vertical and horizontal applications.
- Insensitive to dirt and easy to clean due to sloping surfaces and transition radii.
- Corrosion-resistant.
- Screws are covered by plugs.
- Plugs clip into the handle tool-less.

Materials

■ **Bridge handle:** PA, black

Remarks

Fastening by hex. socket head screws DIN 7984, hex. socket head screws DIN EN ISO 4762, hex. head screws DIN 931 and / or countersunk screws DIN EN ISO 10642.



Polyamide, with 2 plugs

Advantages

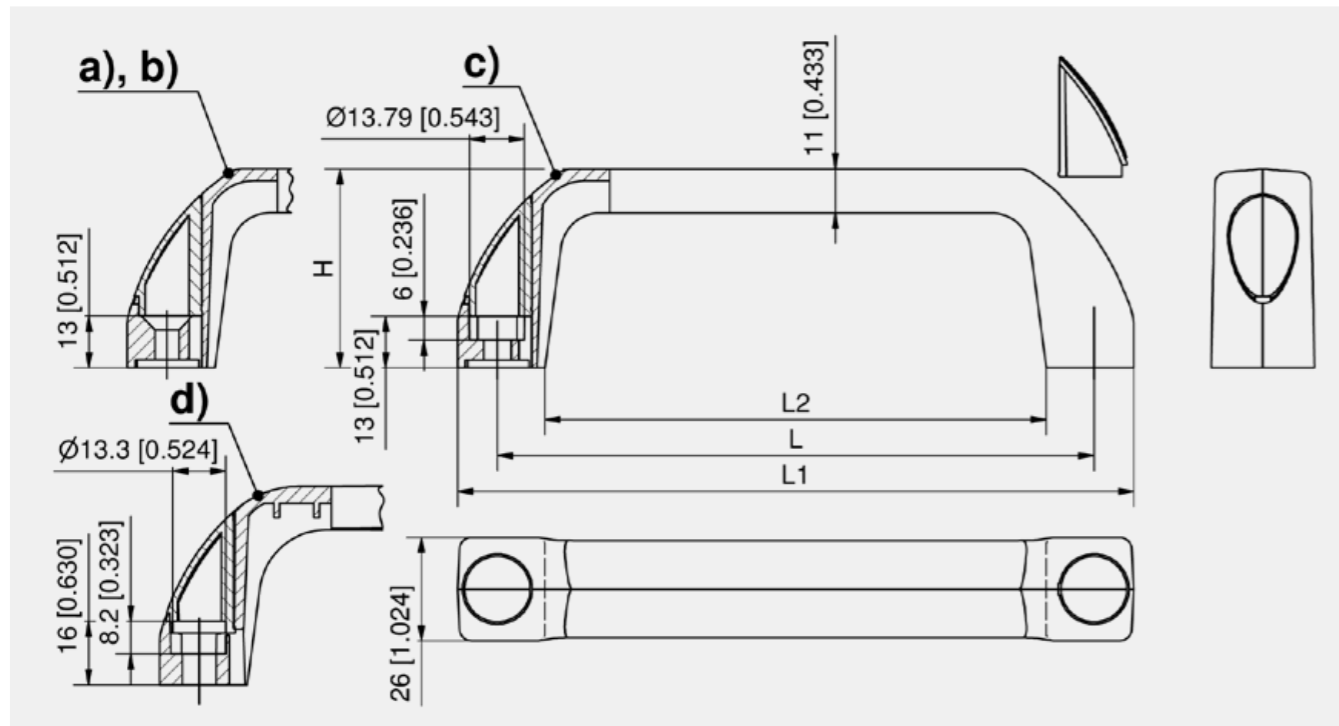
- For vertical and horizontal applications.
- Insensitive to dirt and easy to clean due to sloping surfaces and transition radii.
- Corrosion-resistant.
- Screws are covered by plugs.
- Plugs clip into the handle tool-less.

Materials

Handle and plugs: PA, grey (RAL 7001) or black, matt

Remarks

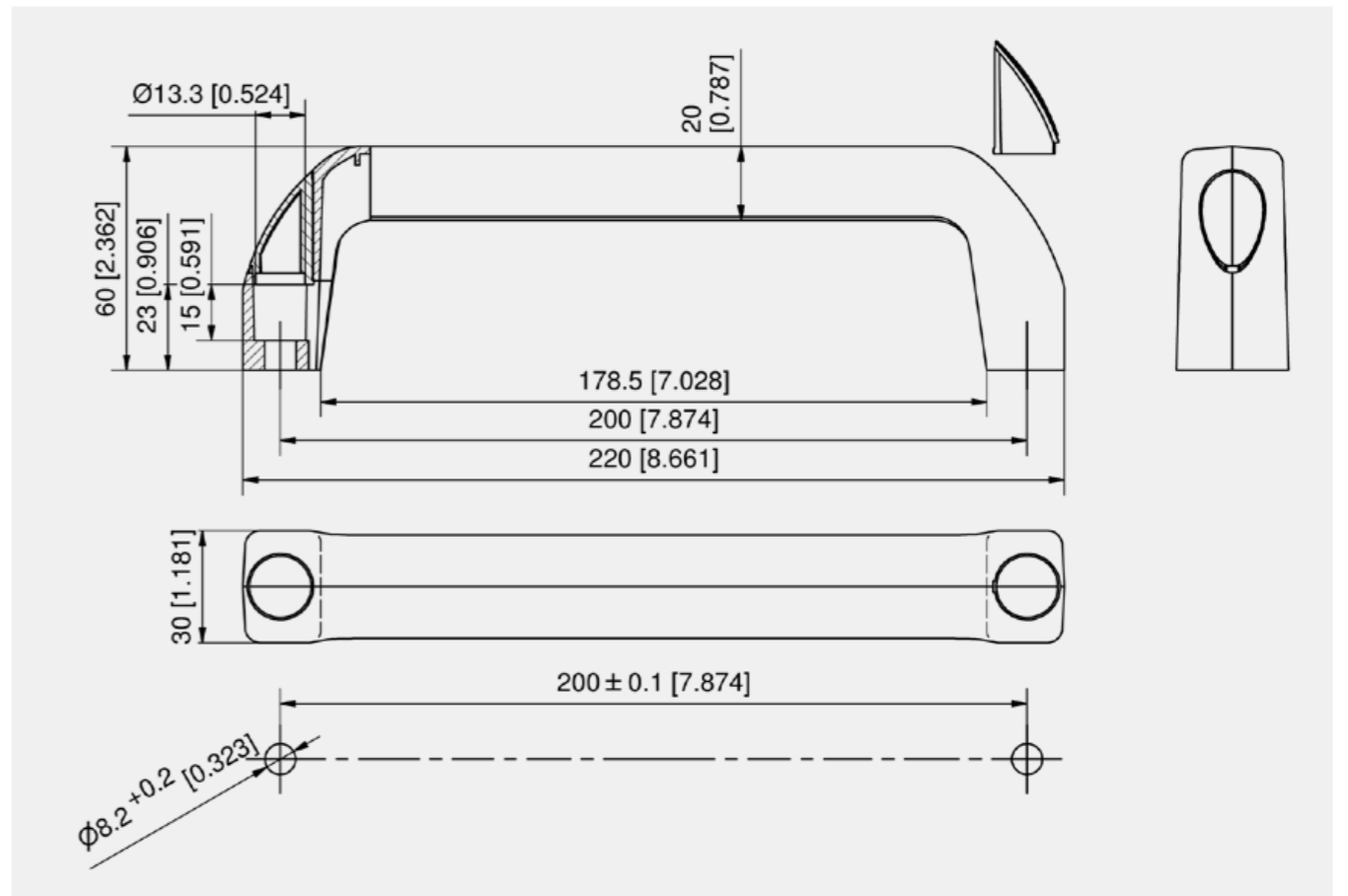
For socket-head screw DIN7984 M8



Polyamide handle complete, with 2 plugs

	Part Number	Fastening type	L	L1	L2	H
a)	213-9207.00-00000	Countersunk screws M5	122 mm	142 mm	98 mm	41 mm
a)	213-9204.00-00000	Countersunk screws M5	122 mm	142 mm	98 mm	50 mm
a)	213-9202.00-00000	Countersunk screws M5	150 mm	170 mm	126 mm	50 mm
b)	213-9205.00-00000	Countersunk screws M6	122 mm	142 mm	98 mm	50 mm
c)	213-9206.00-00000	Hex. socket head cap screws / hex. screws M6	122 mm	142 mm	98 mm	41 mm
c)	213-9203.00-00000	Hex. socket head cap screws / hex. screws M6	122 mm	142 mm	98 mm	50 mm
c)	213-9201.00-00000	Hex. socket head cap screws / hex. screws M6	150 mm	170 mm	126 mm	50 mm
d)	350-2040.00-00000	Cylinder head screws M8	179 mm	199 mm	155 mm	50 mm

Accessories	
+	747 6-041 Countersunk Screws and Hexagon Nuts



Polyamide handle complete, with 2 plugs

Part Number	Surface	Fastening type	L	L1	L2	H
352-2151.03-00000	grey RAL 7001	Cylinder head screws M8	200 mm	220 mm	178.5 mm	60 mm
352-2151.03-00001	black	Cylinder head screws M8	200 mm	220 mm	178.5 mm	60 mm