

# 1-162 Flush latch with integrated hinge function

for surface mounted door, door bending 25mm

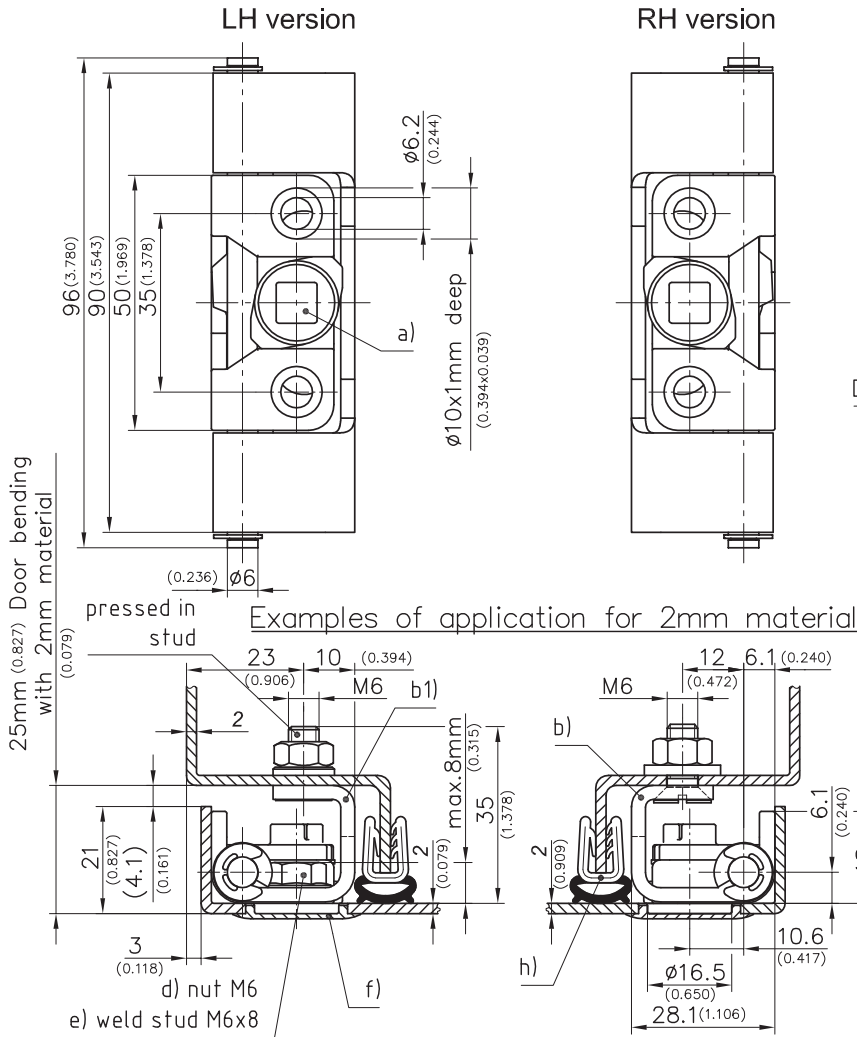
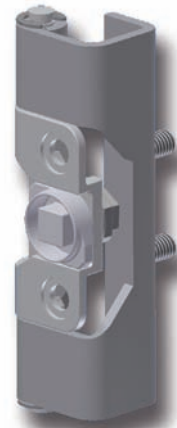


Combines the function of two products (latch and hinge) into one. Latch functions as a hinge when latch is engaged.

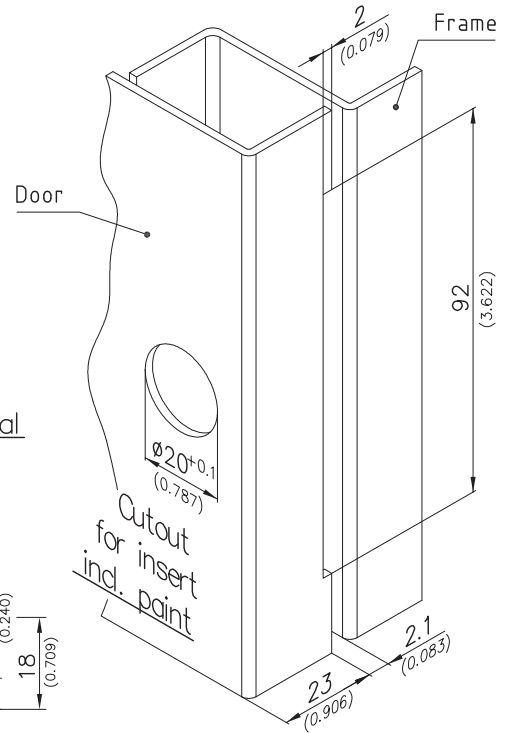
- Turning the insert secures the latch closed.
- Unlatch by turning the insert in opposite direction RH or LH option for latch actuation.
- By unlatching all installed latches the door can be lifted off the frame.
- 120° Opening angle.

## Material:

- **Door and latch part:** zinc die, zinc plated
- **Spring washer:** stainless steel
- **Nut:** steel, zinc plated
- **Locking washer:** steel, chrome plated
- **Blind plug:** PA6, RAL 7035



Reduction of the gap from 4.1 to 2.1 by notch 2mm/0.079inch material

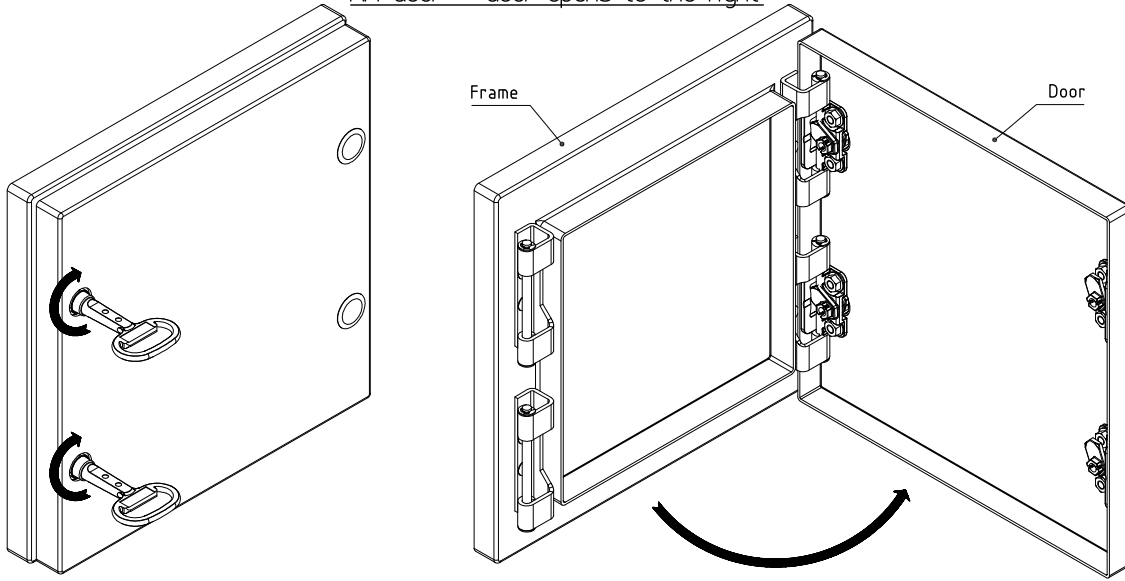


Door part with insert	LH version	RH version	see page
a) Square 8mm	243-9012.00-00001	243-9013.00-00001	
a1) Double bit 3mm pin	243-9012.00-00007	243-9013.00-00007	
additional inserts on request			
b) Frame part countersunk for M6	243-9004.00-00000	243-9004.00-00000	
b1) Frame part with pressed in stud M6	243-9015.00-00000	243-9015.00-00000	
Optional:			
c) Lock washer	243-0501.00-00000	243-0501.00-00000	
d) Nut M6	860-B193.00-00006	860-B193.00-00006	
e) Weld stud M6x8mm	800-1105.00-00000	800-1105.00-00000	
f) Blind plug RAL 7035 (other colors on request)	292-0604.00-07035	292-0604.00-07035	
g) Key			09.10, 09.11
h) e.g. sealing profile / clip-on			07.19

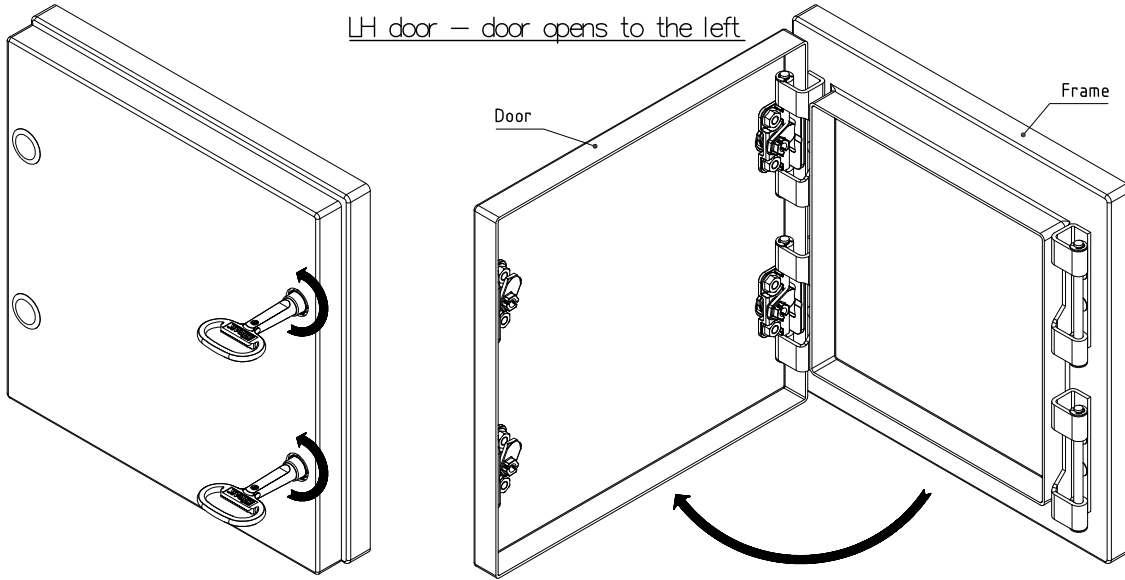
# 1-162 Flush latch with integrated hinge function

for surface mounted door, door bending 25mm

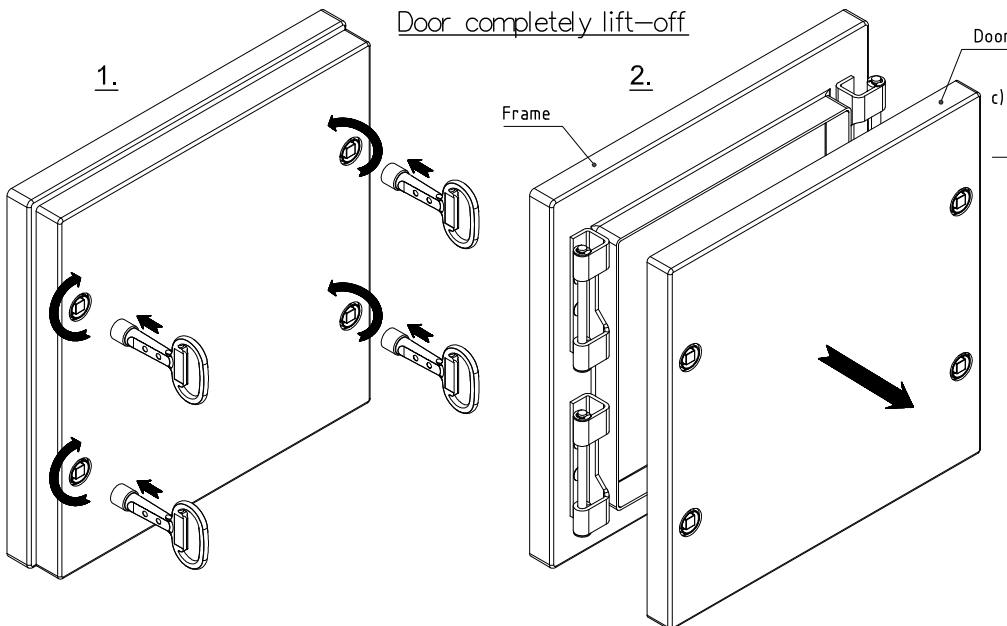
RH door – door opens to the right



LH door – door opens to the left



Door completely lift-off



Use of the locking washer

c) locking washer for mounting holes square  $\square 8$  or  $\varnothing 10$   
( $\square 0.315$  or  $\varnothing 0.394$ )

