

1-050SL Cam Catch SNAP-LINE

interior latching point

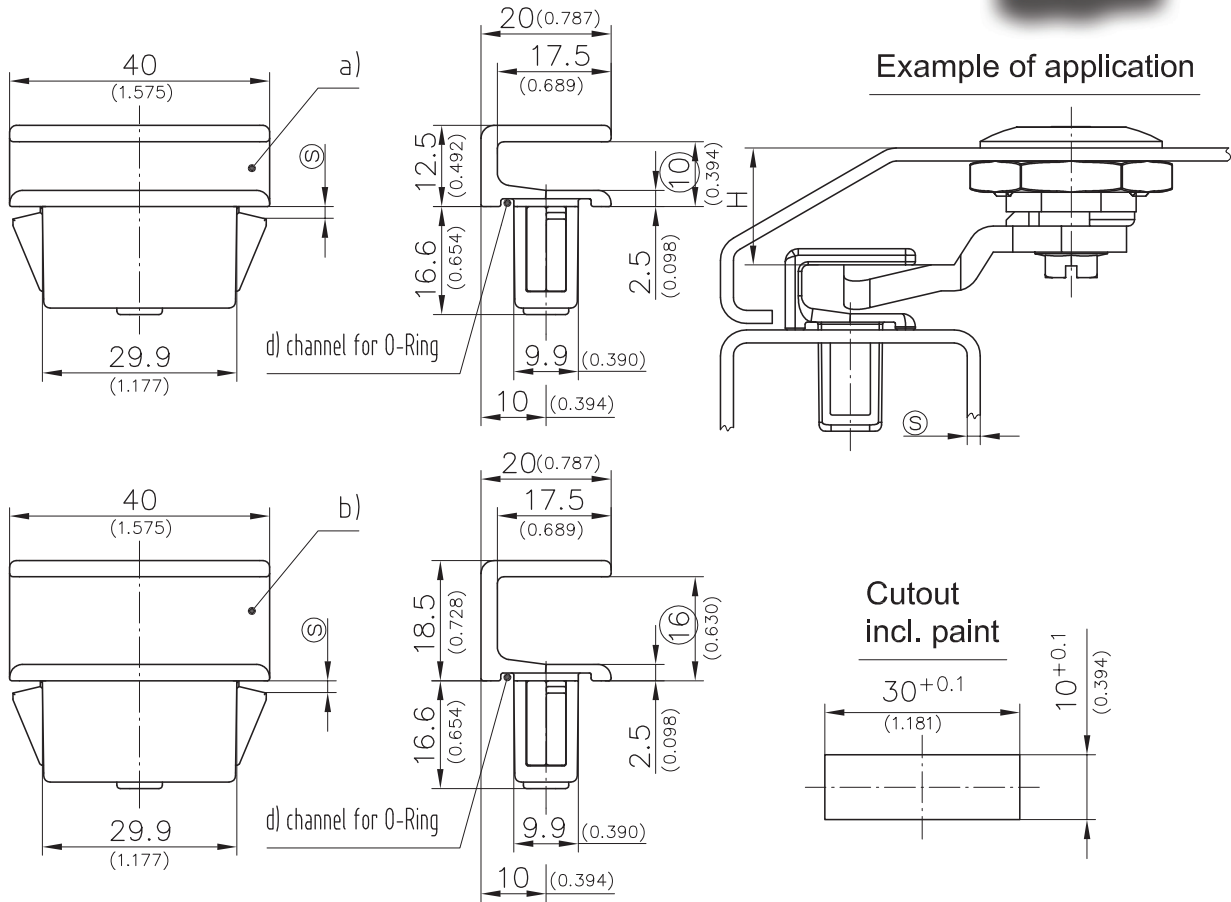


Concealed cam catch.

- RH and LH applications.
- Tool-less clip-in assembly into a 30x10mm cutout in the frame.
- Available in 2 different heights, 10 and 16mm.

Material:

- **Latch bracket:** zinc die, black coated
- **Snap wedges:** sintered steel



	clamping range $\text{\textcircled{S}}$	Part No.	sales unit	see product system
a) Cam Catch 10mm	0.7 - 1.2	408-9106.33-00010	10	
	1.2 - 1.7	408-9106.33-00015	10	
	1.7 - 2.2	408-9106.33-00020	10	
	2.2 - 2.7	408-9106.33-00025	10	
	2.7 - 3.2	408-9106.33-00030	10	
b) Cam Catch 16mm	0.7 - 1.2	408-9107.33-00010	10	
	1.2 - 1.7	408-9107.33-00015	10	
	1.7 - 2.2	408-9107.33-00020	10	
	2.2 - 2.7	408-9107.33-00025	10	
	2.7 - 3.2	408-9107.33-00030	10	

Other $\text{\textcircled{S}}$ - dimension on request!

Optional:			
c)	Cover for cutout 30x10	292-0401.00-03010	5-960SL
Water- and dust-tight according to IP65 by:			
d)	O-Ring 20x1.5	839-3770.00-02015	