

# 3-311 Rods and Accessories FS

for flat rods, for OFFSET-DUO-3



Latching rods and accessories for application with swinghandles OFFSET-DUO-3, see product system 3-310.

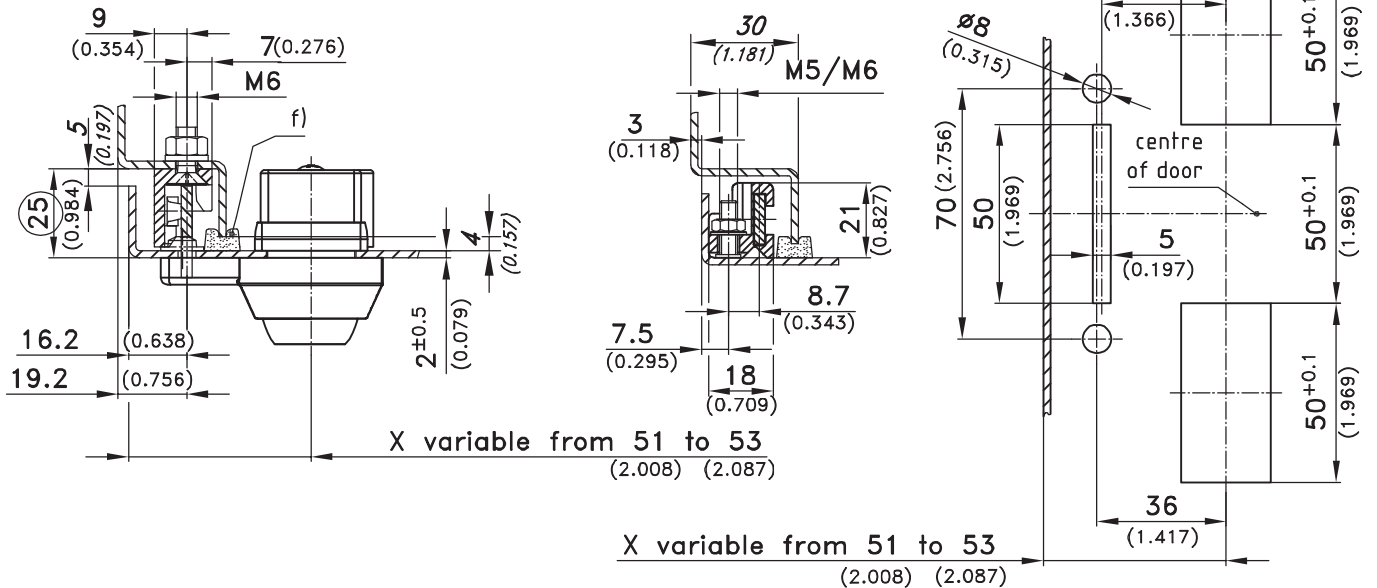
- We show a typical 3-point system for a RH door. All rods run exactly in line and the lower rod is starting from the doorcenter, exactly symmetrical to the (not shown) upper rod.
- As the fitting positions of the latching hooks are identical to those of the hinges, the door can be installed RH or LH.
- Dependig on the installed rod guides and hinges, a minimal frame width of 30mm is possible.

**Material:**

- a) and b)
- **Rods:** steel, zinc plated
- c)
- **Latching hook:** zinc die
- d) and d1)
- **Rod Guide:** PA, black



Sample of application for extremely NARROW frame width



				Part No.	see page
a)	Central Controlling Rod per lock system order 1 off.			307-9001	
b)	Extension rod	for door height	distance of hook		
	per lock system order 2 off	Th	A	Numbers of Latching hooks	
		800-1200	300	2	208-0942
		1200-1600	500	2/3	208-0943
		1600-1900	700	3	208-0944
		1900-2200	850	3	208-0945
c)	Latching Hook			208-1424	
d)	Rod Guide NARROW for weld stud M5			208-1509.03	
	Rod Guide NARROW for weld stud M6			208-1517.03	
e)	Profile-Cylinder, according DIN 18252				03.42, 03.43
f)	Rectangular Gasket				07.11

# 3-311 Rods and Accessories FS

for flat rods, for OFFSET-DUO-3

